

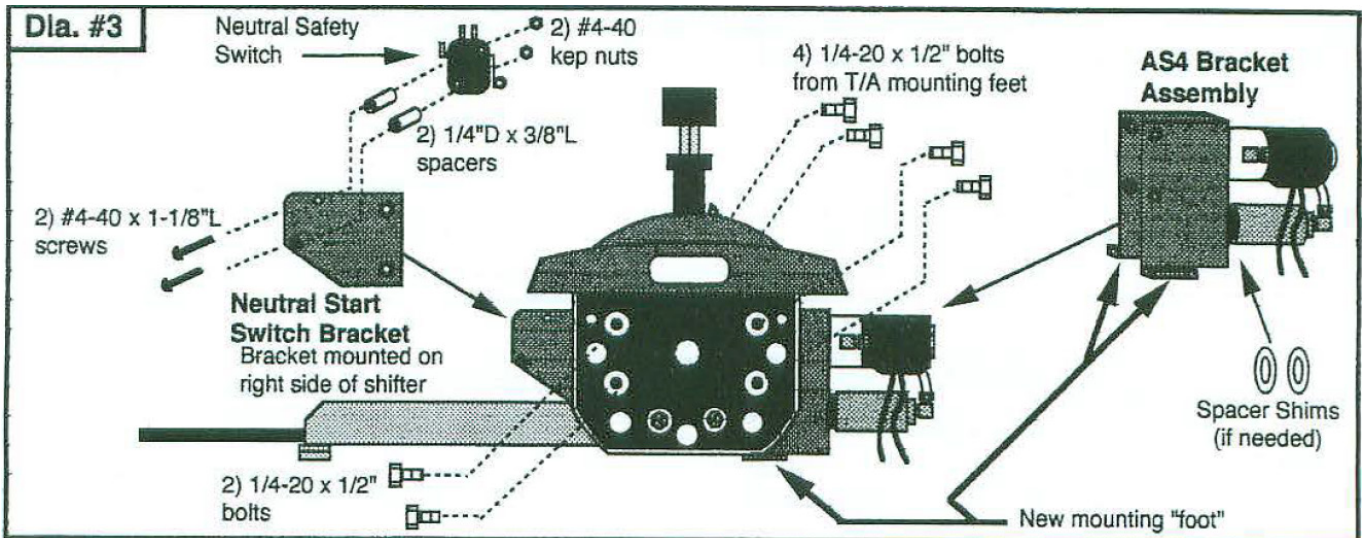
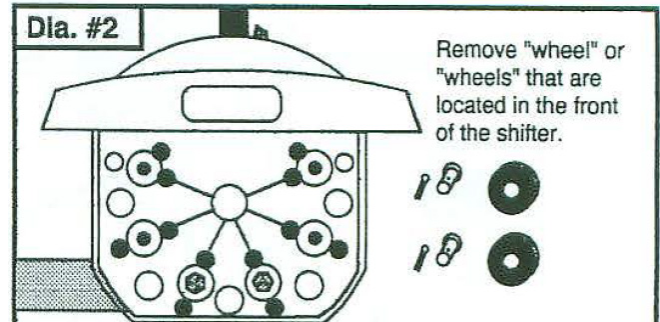
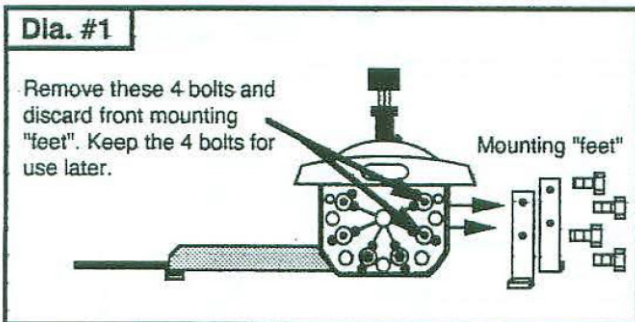


413 West Elm Street • Sycamore, IL 60178
(866)248-6357 • (815)895-6786

www.autometer.com • service@autometer.com

For all 2 speed & 3 speed, FORWARD PATTERN valve bodies using a Turbo Action Cheetah SCS shifter INSTALLATION:
INSTALLATION

- 1) If you are using the Turbo Action Cheetah shifter's supplied neutral start switch, remove it from the front of the shifter and discard. Unhook the wires that are connected to it, you will be using these wires later.
- 2) Remove the front mounting "feet" as shown in Dia. #1. Keep the bolts and discard the "feet".
- 3) Remove the wheel or wheels located in the front of the shifter, and discard these. (Dia. #2.) You may have to move the shifter lever to different positions to get access to the cotter pins and to remove the clevis pin that holds the wheel(s) in place.
- 4) Using the 4) 1/4,-20 x 1/2" long bolts that you removed earlier from the Turbo Action shifter front mounting feet, attach the AS4 bracket assembly to the front of the shifter as shown in Dia. #3. Note the AS4 bracket assembly has new provisions for mounting feet and will line up with the old mounting holes in your transmission tunnel. Check to see if the Turbo Action shifter lever moves through all the gears without any interference. Add shim washers to the brass cylinder for clearance if needed.
- 5) Connect the supplied neutral start switch- to the bracket as shown in Dia. #3 with the roller tip forward and down using the small #4-40 screws, 3/8" spacers, and kep nuts (washers built in). Carefully tighten, you do not want to break the microswitch- (part number: LSW5). Attach to the back of the Turbo Action shifter as shown in Dia. #3, using 2) 1/4".20 X 1/2" bolts provided. You may want to attach the wires first. (Dia. #4)
- 6) Notice the bracket has a small slot for adjusting the position of the microswitch. Make sure the switch "clicks" when the shifter is in Park and Neutral positions.
- 7) Connect your 1/4" diameter CO2 supply line to the compression fitting on the side of the AS4 valve. Use the supplied tubing insert to prevent the tubing from collapsing.
- 8) Set your line pressure on your regulator to 90-100 psi.



WIRING:

NEUTRAL START SWITCH

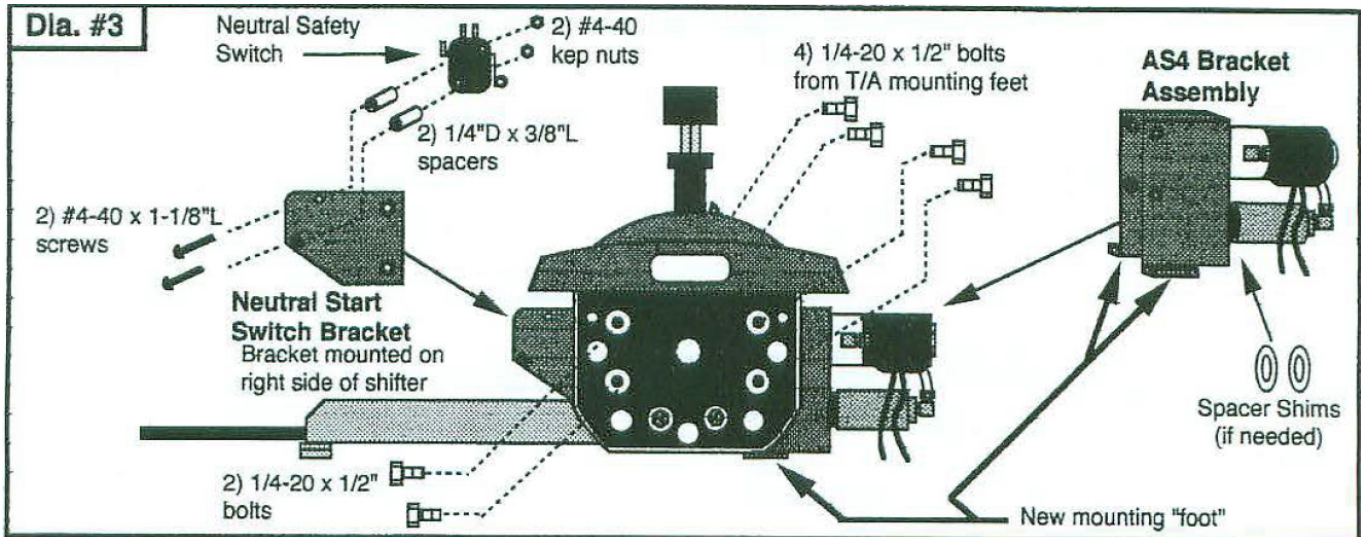
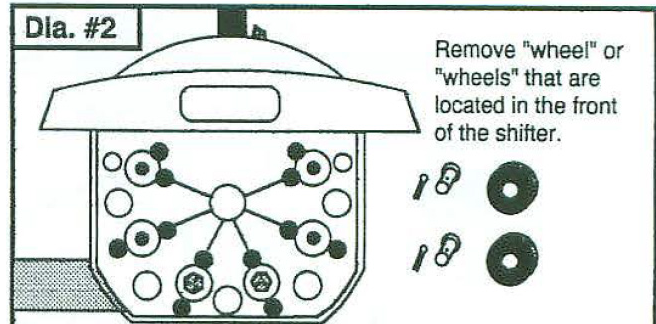
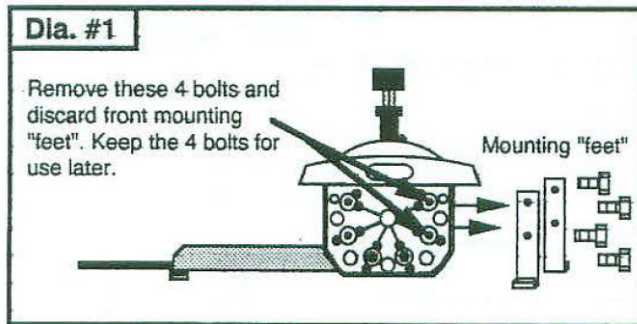
- 1) Connect the neutral start switch wires to the microswitch using the supplied .187 wide female quick disconnect terminals. One wire to the COM terminal and one wire to the NO terminal as shown in Dia. #4. The NC terminal is not used.

DEDENBEAR RPM SWITCH:

- 1) Connect the Dedenbear RPM switch to the AS4as shown in-Dia.#5. Use 18-16ga wire. The Dedenbear RPM switch will supply + 12V power to the CO2 solenoid to activate it and make it shift.
- 2) Set your desired shift point on the thumbwheels. (Example 7: 5 would be 7500 rpm, 67 would be 6700 rpm)
- 3) You can use the Manual Upshift button to check operation without having to start your engine or during a pass to short shift your transmission.
- 4) The Transbrake & Line-Lock terminals are optional "disable" terminals. When the Transbrake terminal is wired, the RPM-2 switch will not shift for approx 6 seconds after the transbrake is released when the vehicle launches. When the Line Lock terminal is wired, the RPM-2 will not shift during-the burnout as long as the line lock button is being held. If you do not wish to use these features, simply do not wire them.

MSO RPM-SWITCH:

- 1) Connect the MSD RPM Activated Switch #8950 as shown. in Dia #5. The MSD unit supplies GROUND to the CO2 solenoid, the other side of the solenoid is wired to a constant "hot" + 12v source.
#8950 wiring Red= +12v, Black=Ground, White=Tach, Yellow=To AS4 solenoid ground, Gray= Not used.



LIMITED 1 YEAR WARRANTY

DEDENBEAR Products, Inc. warrants to the consumer that all DEDENBEAR Products purchased from an Authorized DEDENBEAR Reseller will be free from defects in material and workmanship for a period of twelve (12) months from date of the original purchase. Products that fail within this 12 month warranty period will be repaired or replaced at DEDENBEAR's option, when determined by DEDENBEAR that the product failed due to defects in material or workmanship. This warranty is limited to the repair or replacement of parts in the DEDENBEAR Product and the necessary labor done by DEDENBEAR to effect the repair or replacement of the DEDENBEAR product. In no event shall DEDENBEAR's cost to repair or replace a DEDENBEAR under this warranty exceed the original purchase price of the DEDENBEAR Product. Nor shall DEDENBEAR Products, Inc. be responsible for special, incidental or consequential damages or costs incurred due to the failure of a DEDENBEAR Product. This warranty applies only to the original purchaser of the DEDENBEAR Product and is non-transferable. This warranty also applies only to DEDENBEAR Products purchased from an Authorized DEDENBEAR Reseller. All implied warranties shall be limited in duration to the said 12 month warranty period. Breaking the instrument seal, improper use or installation, accident, water damage, abuse, unauthorized repairs or alterations voids this warranty. DEDENBEAR disclaims any liability for consequential damages due to the breach of any written or implied warranty on all products manufactured by DEDENBEAR Products, Inc.

FOR SERVICE SEND TO: DEDENBEAR PRODUCTS, INC 413 W. Elm St. Sycamore, IL 60178 USA (866) 248-6357

Email: service@autometer.com

CUSTOMER SERVICE & TECH. SUPPORT: (866)248-6357 Mon-Fri 8am-5pm CST